

ORGANISED BY



SUPPORTED BY



Plastic
ScrapWala
Price News Trade

SUPPORTING ASSOCIATION



PLASTIC RECYCLING CONFERENCE ASIA 2024

RECYCLING | WASTE MANAGEMENT | INDUSTRY 4.0



MAY 2-3, 2024 | THURSDAY-FRIDAY THE LALIT, FIRE BRIA GADE LANE, BARAKHAMBA, NEW DELHI

Exhibitor Manual & Guidelines

Exhibition: PRCA 4.0 2024

Venue: The Lalit , New Delhi

Exhibition Dates: 02-03 May, 2024

Exhibition Timings:

Date	Time
02 nd May	10 AM – 5:30 PM
03 rd May	10 AM- 5:00 PM

Timings for Stall Allocation

Shell Space	6:00 AM On 02 nd May
Bare Space	3:00 AM On 02 nd May
Exhibit Removal	5:00 PM on 03 rd MAY

Important Points about Exhibition:

- The Exhibition is spread out in 2 locations. The first areas is Pre function of crystal Ballroom and the other one Regency 1 & 2 which is one level down
- Booth No 1 to Booth No 19 are placed in Regency 1 & 2
- Booth No 20- Booth No 27 are placed in Pre-function area of Crystal Ballroom
- The Lunch will be served in Pre-function Area of Regency 1 & 2 & Regency 3
- The Dinner on 02nd May would be served in Pre- Function Area and Crystal Ballroom
- Please note below the dimensions for both the areas below

ORGANISED BY



SUPPORTED BY



Plastic ScrapWala
Price News Trade

SUPPORTING ASSOCIATION



We Shape Plastics...
Plastics Machinery Manufacturers
Association of India



PLASTIC RECYCLING CONFERENCE ASIA 2024

RECYCLING | WASTE MANAGEMENT | INDUSTRY 4.0

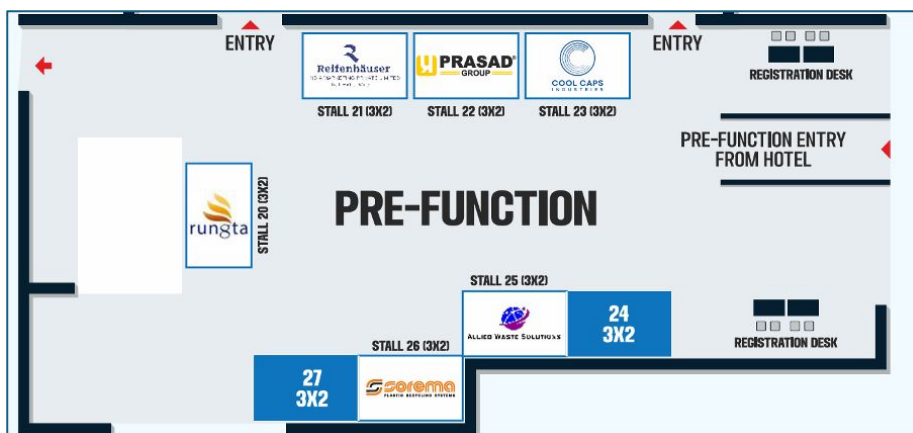


MAY 2-3, 2024 | THURSDAY-FRIDAY | THE LALIT, FIRE BRIAAGADE LANE, BARAKHAMBA, NEW DELHI

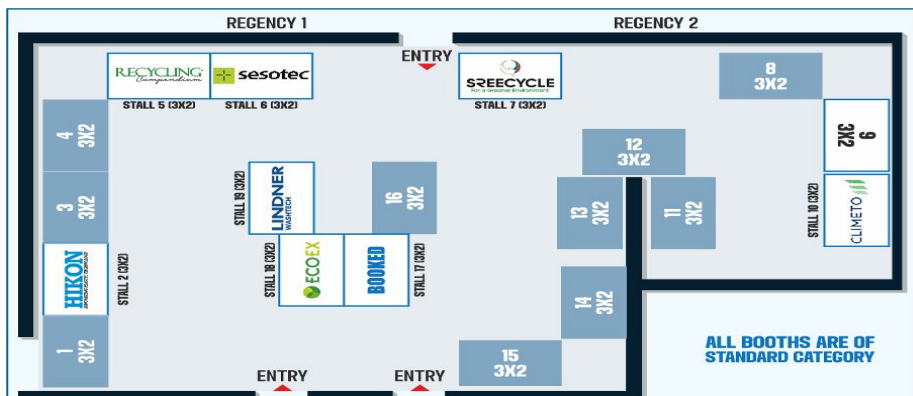
Booth Layout:

The booth shown with Exhibitor names are sold out.

Pre-function Area (Booth No – 20 - Booth No- 27)



Regency 1 & 2 (Booth No- 1 – Booth No 19)



ORGANISED BY



SUPPORTED BY



SUPPORTING ASSOCIATION



PLASTIC RECYCLING CONFERENCE ASIA 2024

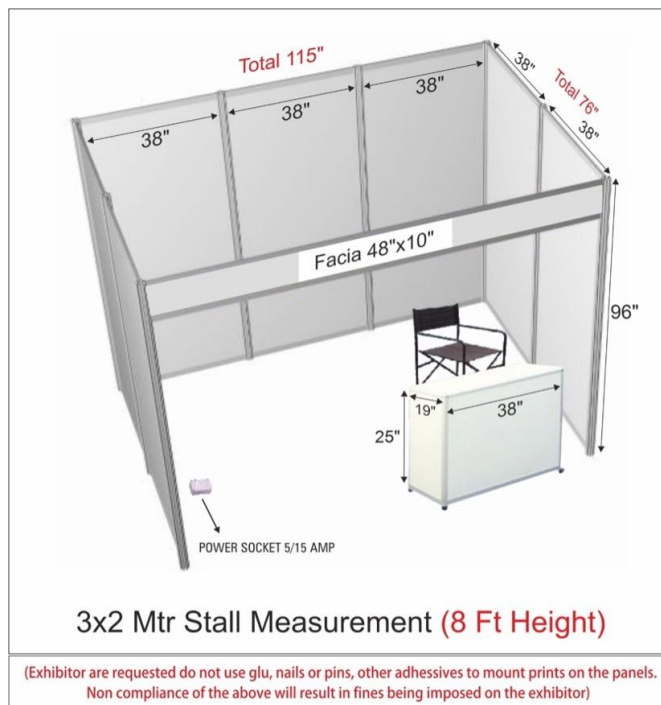
RECYCLING | WASTE MANAGEMENT | INDUSTRY 4.0



MAY 2-3, 2024 | THURSDAY-FRIDAY | THE LALIT, FIRE BRIAAGADE LANE, BARAKHAMBA, NEW DELHI

Dimensions and Inclusions for Booth No 20-Booth No 27:

- Exhibitors with Shell Scheme/ Octanorm Stalls package are entitled to **3M X2M (6 Sq Mt Stall)**
- Up to 3 Side Walls in Octa norm Style.
- The Backwall will consist of **3 Panels of 1M each and height would be 8 ft.** There will be **2 side panels 1M each and height would be 8ft.**
- Facia with Exhibitor Name
- Three Spotlights, One Power Plug Point, 1 Table, 2 Chairs and 1 dustbin
- Any additional would be charged Extra
- The Structure and Complete Size drawing is attached below
- These Stalls will be located in Pre-Function Area of Crystal Ballroom, Lalit Hotel
- In case Exhibitors are building their own stalls, they need to keep the Size of stall as **3M X 2M with height as 8 ft**
- The Size of these stalls are **3M X 2M with 8 ft height**
- No Printing is included as part of the package
- The Complete Stall Size and each Panel Size is mentioned below in the Drawing



ORGANISED BY



SUPPORTED BY



SUPPORTING ASSOCIATION



PLASTIC RECYCLING CONFERENCE ASIA 2024

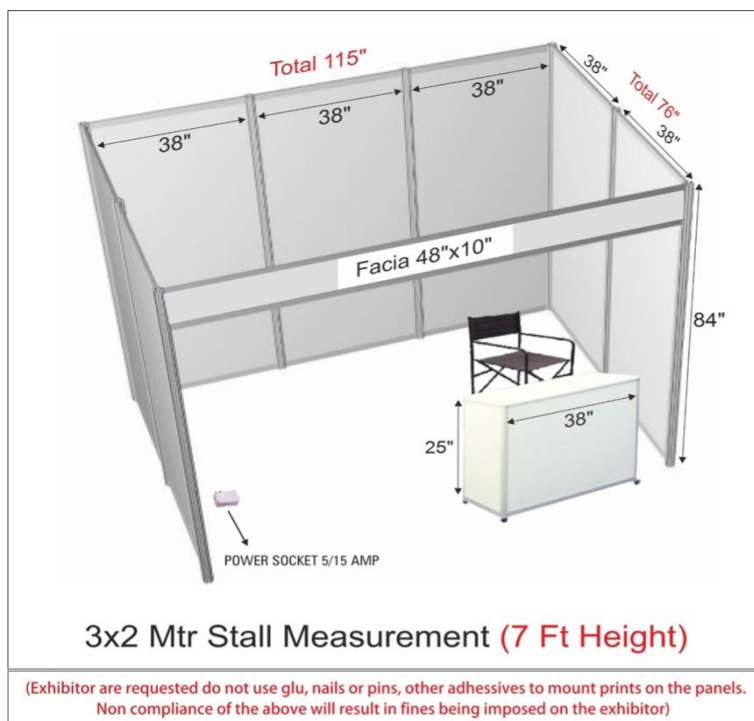
RECYCLING | WASTE MANAGEMENT | INDUSTRY 4.0



MAY 2-3, 2024 | THURSDAY-FRIDAY | THE LALIT, FIRE BRIAAGADE LANE, BARAKHAMBA, NEW DELHI

Dimensions and Inclusions for Stall No 1- Stall No 19

- Exhibitors with Shell Scheme/ Octanorm Stalls package are entitled to **3M X2M (6 Sq Mt Stall)**
- Up to 3 Side Walls in Octa norm Style.
- The Backwall will consist of 3 Panels of **1M each and height would be 7 ft**. There will be **2 side panels 1M each and height would be 7ft**.
- Facia with Exhibitor Name
- Three Spotlights, One Power Plug Point, 1 Table, 2 Chairs and 1 dustbin
- Any additional would be charged Extra
- These Stalls will be located in Pre-Function Area of Crystal Ballroom, Lalit Hotel
- In case Exhibitors are building their own stalls, they need to keep the Size of stall as **3M X 2M with height as 7 ft**
- The Size of these stalls are **3M X 2M with 7 ft height**
- No Printing is included as part of the package
- The Size of Table Printing is 38 Inches X 25 inches. Only Vinyl Printing is permitted
- The Structure and Complete Size drawing is attached below



ORGANISED BY



SUPPORTED BY



Plastic
ScrapWala
Price News Trade

SUPPORTING ASSOCIATION



PLASTIC RECYCLING CONFERENCE ASIA 2024

RECYCLING | WASTE MANAGEMENT | INDUSTRY 4.0



MAY 2-3, 2024 | THURSDAY-FRIDAY THE LALIT, FIRE BRIA GADE LANE, BARAKHAMBA, NEW DELHI

Dismantling of Stalls

All the Exhibitors will be requested to remove the stalls by 5 PM on 03rd May

General Points

- For Booking of Stalls, you may reach out to the Organizer Mr. Amit Purohit at ap@apic.co.in or call at +91 99267 44333 / + 91 90098 44333
- All the Exhibitors are advised to get their booth Set up/ Printing done from the existing event manager for this event to avoid any confusion. You may reach out to Mr. Puneet Anand at 9811800777

Warm Regards,
Team PRCA 4.0